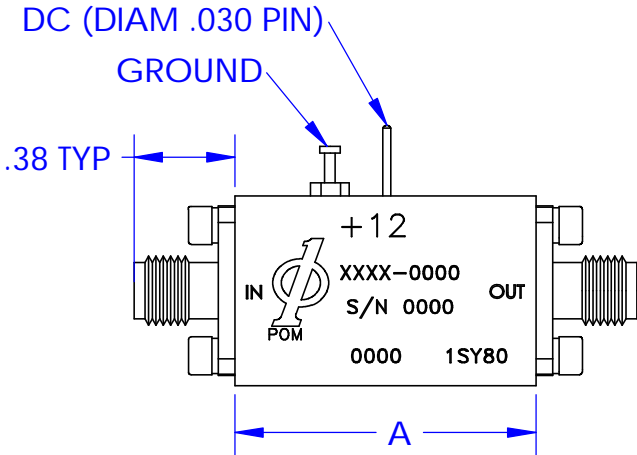
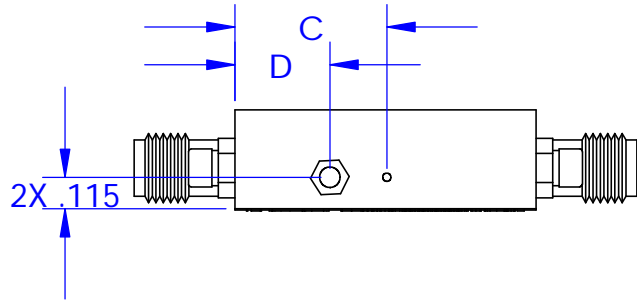
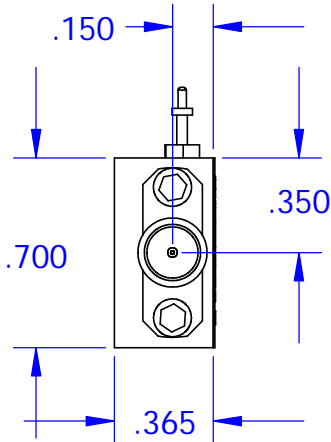
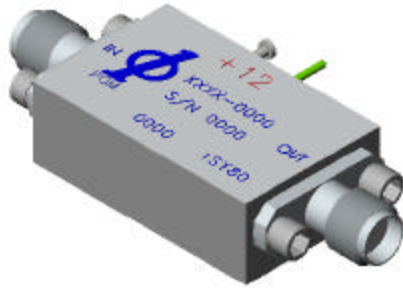
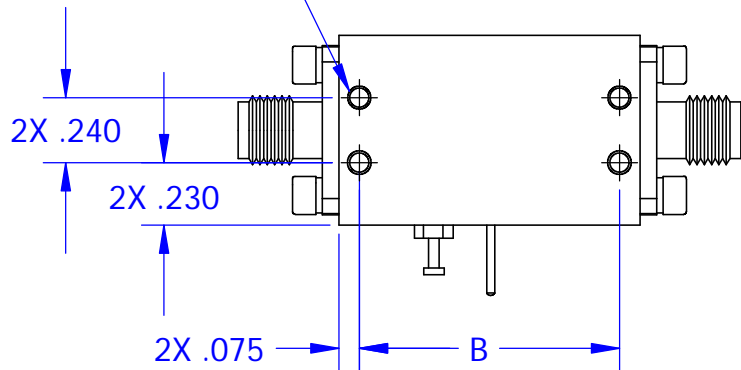


# POM PROPRIETARY RELEASE



4X TAP #2-56 UNC-2B



TYPE	A	B	C	D
3	.910	.760	.560	.350
4	1.110	.960	.560	.350
6	1.510	1.360	.960	.750
8	1.910	1.760	1.360	1.150

COAX CONNECTOR OPTIONS:  
SMA, 2.9mm, 2.4mm

DRAWING NOTES:  
UNLESS OTHERWISE SPECIFIED  
1) ALL DIMENSION TOLERANCES  
±.010 AFTER PLATING  
2) RF CONNECTORS ARE K FEMALE  
3) INTERPRET DRAWING PER ASME Y14.5M-1994

**PHASE ONE MICROWAVE, Inc.**

INSTALLATION DRAWING

POM KK, VV SERIES